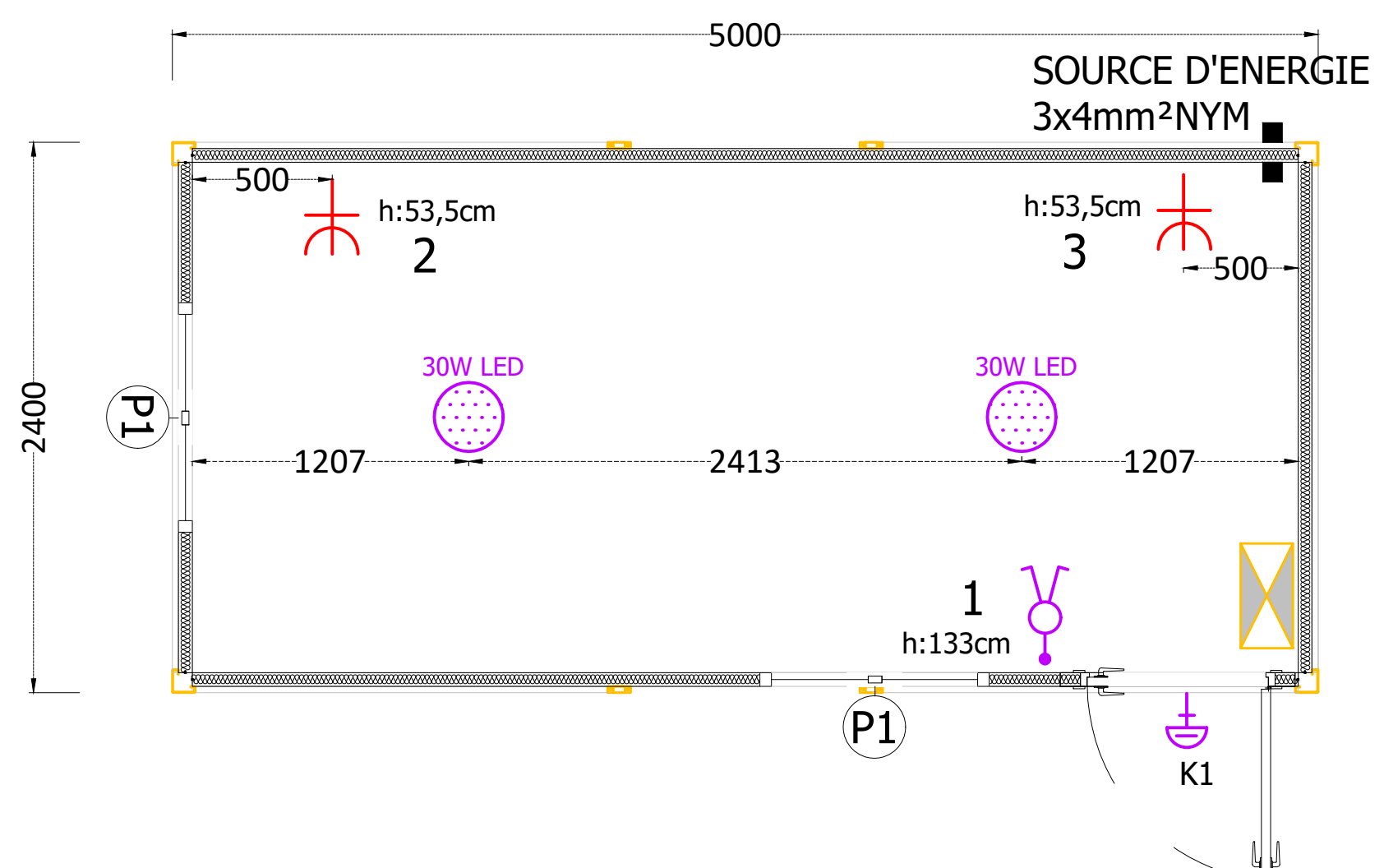
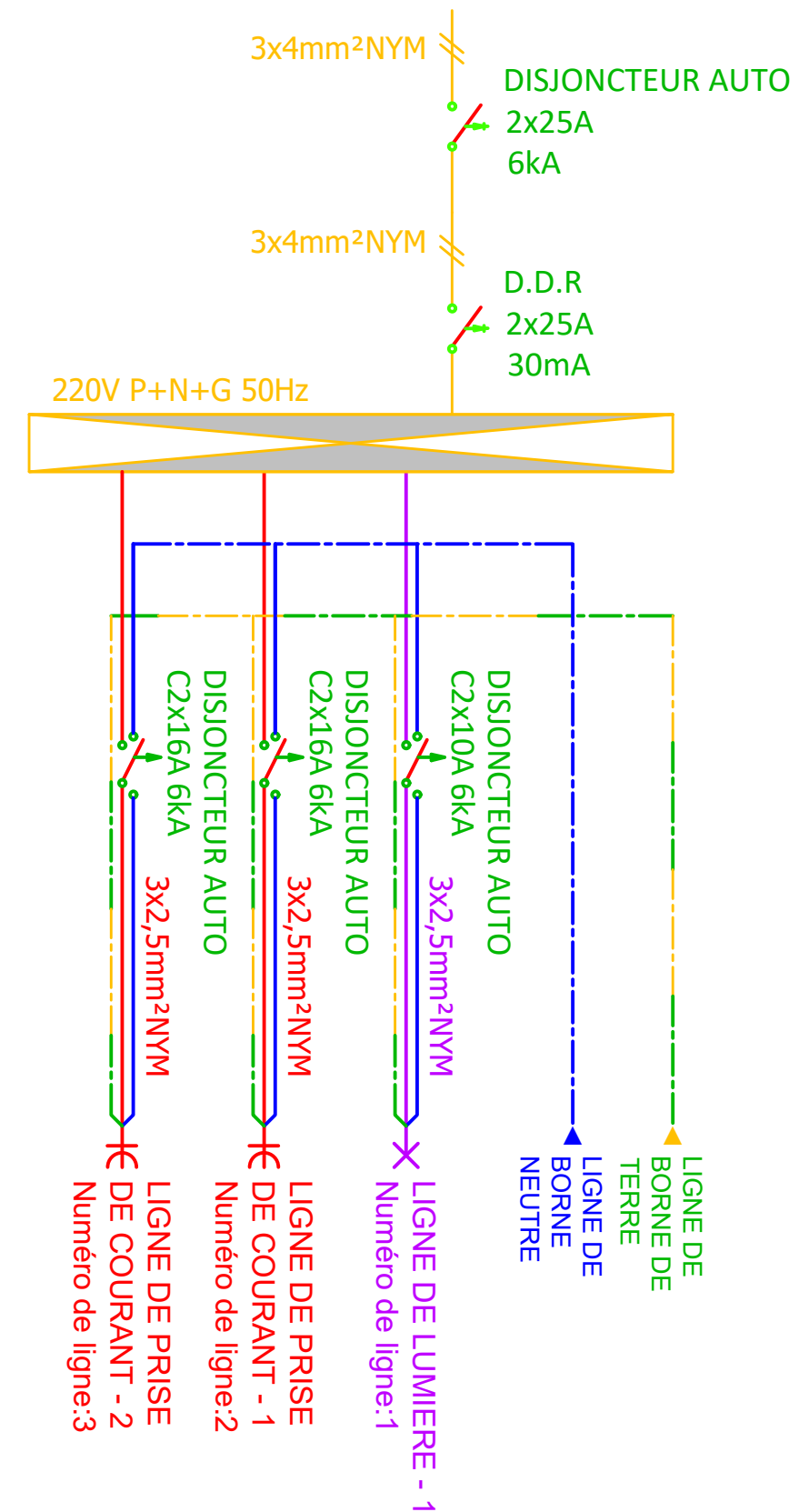


NOMENCLATURE DE TABLEAU ELECTRIQUE														
NOM DE PANNEAU	PUISSANCE DE PANNEAU	DISJONCTEUR PRINCIPALE	DISJONCTEUR DIFFÉRENTIEL (30mA)	DISJONCTEUR		LIGNE NO	NOMBRE DE SORTIE			PUISSANCE DE LIGNE (W)	DISTRIBUTIONS DES PHASES			DESCRIPTION
				TYPE	A		ÉCLAIRAGE	PRISE	CLIM		L1	L2	L3	
ÉCLAIRAGE PRISE	670W	2x25A/6kA	2x25A	C/6kA	2X10A	1	3			70	70			ÉCLAIRAGE
				C/6kA	2X16A	2	1			300	300			PRISE
				C/6kA	2X16A	3	1			300	300			PRISE
COURANT ELECTRIQUE MAX: 3,05A				TOTAL:			3	2		670	670			
LE FACTEUR DE DEMANDE DU PANNEAU A ÉTÉ CALCULÉ COMME 1.														



LED LED PANEL ARMATÜR / 300*600(40W-6000°K) LED PANEL FIXTURES / 300*600(40W-6000°K) SIVA ALTI VEYA SIVA ÜSTÜ (RECESSED OR SURFACE MOUNTED)	GLOB ARMATÜR(40W) GLOBE LUMINAIRE(40W)	ANAHTAR SWITCH KOMİTÖR ANAHTAR SELECTOR SWITCH VAVİYEN ANAHTAR THREE WAY SWITCH NEMLİYER ANAHTAR WATERPROOF SWITCH NEMLİYER KOMİTÖR W.P SELECTOR SWITCH NEMLİYER VAVİYEN W.P THREE WAY SWITCH	TOPRAKLAMALI PRİZ GROUNDING PLUG SOCKET NEMLİYER TOPRAKLAMALI PRİZ / WATERPROOF GROUNDING PLUG SOCKET UPS PRİZ UPS SOCKET NEMLİYER UPS PRİZ WATERPROOF UPS SOCKET TRİFAZE MAKİNE PRİZİ THREE-PHASE SOCKET	TELEVİZYON ANTEN PRİZİ TELEVISION ANTENNA SOCKET TELEFON (RJ11) PRİZİ DIALPHONE (RJ11) SOCKET DATA (RJ45) PRİZİ DATA (RJ45) SOCKET TELEFON TOPLAMA BUATI DIAL PHONE JUNCTION BOX SİGORTA KUTUSU (PVC) MAIN FUSE-BOX (PVC) CEE NORM FİŞ-PRİZ CEE NORM PLUG-SOCKET	PİLLİ DUMAN DEDEKTÖRÜ BATTERY POWERED SMOKE DETECTOR ANİ / ŞOK ISITICI INSTANTANEOUS WATER HEATER KONVEKTÖR CONVECTOR HEATER SPLİT KLİMA AIR CONDITIONER BULAŞIK / ÇAMAŞIR MAKİNASI DISH WASHER / WASHING MACHINE
LED LED PANEL ARMATÜR / 600*600 (40W-6000°K) LED PANEL FIXTURES / 300*600(40W-6000°K) SIVA ALTI VEYA SIVA ÜSTÜ (RECESSED OR SURFACE MOUNTED)	LED LED PANEL ARMATÜR / Ø30 (24W-6000°K) LED PANEL FIXTURES / Ø30 (24W-6000°K) SIVA ÜSTÜ (SURFACE MOUNTED)				
U-TİP ETANJ ARMATÜRLER (ELEKTRONİK BALANSLI) U-TYPE WATERPROOF FIXTURES (ELECTRONIC BALLAST)	ACİL YÖNLENDİRME ARMATÜRLERİ EMERGENCY LUMINAIRES EXIT				